

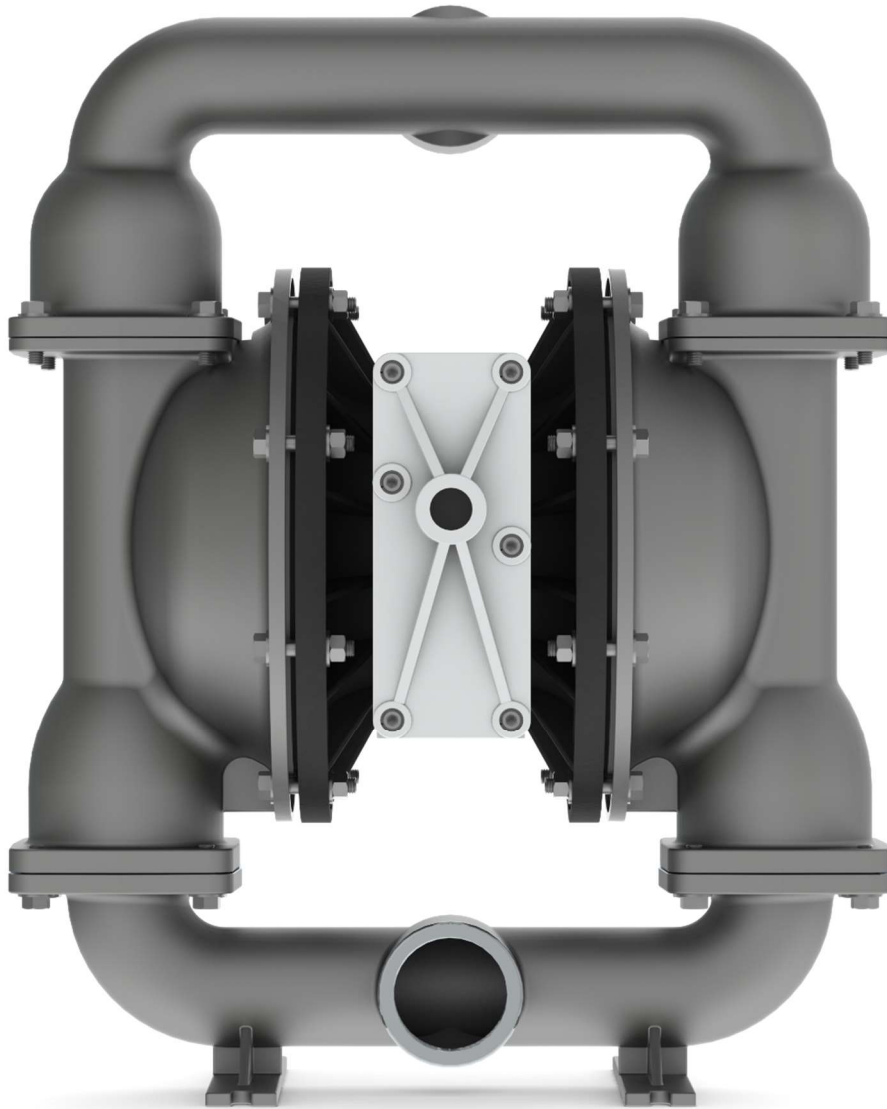


**AIR OPERATED
DOUBLE
DIAPHRAGM
PUMPS**



ISO 9001: 2008
ISO 14001: 2004

pricepumps.co.in



**3" STAINLESS STEEL 316 PUMP
AOD 800 PF SSPP/TEF/TF/S/T**

pricepumps.co.in



AIR OPERATED DOUBLE DIAPHRAGM PUMPS



ISO 9001: 2008
ISO 14001: 2004

pricepumps.co.in

SECTION 1- LEGEND

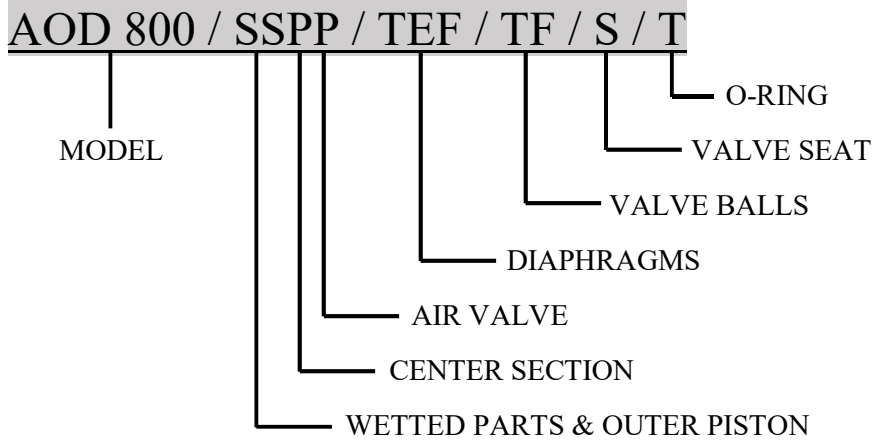
3" STAINLESS STEEL PUMP

AOD 800/AAPP/TEF/TF/S/T

MODEL: AOD 800 PF STAINLESS STEEL 316

76mm (3") Pump

Maximum Flow Rate: 1026 Lpm (271 gpm)



MATERIAL CODES

MODEL
AOD 80 = 3" PUMP

AIR VALVE
P = POLYPROPYLENE

VALVE BALL
TF = TEFLON

WETTED PARTS & OUTER PISTON
SS = STAINLESS STEEL /
STAINLESS STEEL

DIAPHRAGMS
TEF = TEFLON

VALVE SEAT
S = STAINLESS STEEL

CENTER SECTION
P = POLYPROPYLENE

VALVE SEAT O-RING
T = TEFLON



AIR OPERATED DOUBLE DIAPHRAGM PUMPS



ISO 9001: 2008
ISO 14001: 2004

pricepumps.co.in

SECTION 2 – SPARE PART LIST

3” STAINLESS STEEL PUMP

AOD 800/AAPP/TEF/TF/S/T

SR No.	DISCRIPTION	PART No	QTY
1	LIQUID CHAMBER	80-1001-03	2
2	SUCTION MANIFOLD	80-1021-03	1
3	DISCHARGE MANIFOLD	80-1031-03	1
4	NRV BALL	80-1042-55	4
5	BALL SEAT	80-1076-03	4
6	SEAT O RING	80-3102-55	4
7	HOLDING PLATE	80-1111-01	2
8	LOCK NUT	80-1131-03	2
9	DIAPHRAGM	80-2001-55	2
10	BACK UP DIAPHRAGM	80-2101-65	2
11	CENTER BLOCK	80-1301-20	1
12	CENTER BLOCK O RING	80-3155-56	2
13	CENTER BLOCK PIPE	80-1320-03	4
14	CENTER BLOCK PATTI	80-1319-03	6
15	MAIN SHAFT	80-1341-03	1
16	AIR COVER	80-1403-01	2
17	AIR COVER GASKET	80-3311-51	2
18	PILOT BUSH	80-1471-07	1
19	PILOT SHAFT	80-1454-03	1
20	PILOT SHAFT O RING	80-3176-51	8
21	PILOT SHAFT RING	80-3171-68	4
22	PILOT BUSH O RING	40-3166-51	2
23	PILOT SHAFT WASHER	04-6114-03	2
24	PILOT BUSH O RING	30-3151-51	4
25	PISTON BLOCK	80-1501-20	1
26	PISTON	80-1521-69	1



AIR OPERATED DOUBLE DIAPHRAGM PUMPS



ISO 9001: 2008
ISO 14001: 2004

pricepumps.co.in

SECTION 2 – SPARE PART LIST (CONTINUED...)

3” STAINLESS STEEL PUMP

AOD 800/AAPP/TEF/TF/S/T

SR No.	DISCRIPTION	PART No	QTY
27	PISTON O RING BIG	80-3201-51	1
28	PISTON O RING SMALL	80-3224-51	7
29	PISTON RING BIG	80-3241-68	1
30	PISTON RING SMALL	80-3246-68	3
31	PISTON RING MEDIUM	80-3251-68	2
32	PISTON BLOCK CAP	80-1571-20	1
33	P B CAP O RING	80-3266-51	1
34	PISTON BLOCK COVER	80-1561-20	1
35	PISTON BLOCK GASKET	80-3321-51	1
36	PISTON BLOCK COVER GASKET	80-3331-51	1
37	PISTON BLOCK PIPE	80-1586-03	2
38	EXHAUST	80-1366-23	1
39	AIR NIPPLE	50-1371-07	1
40	REDUCER	80-1377-21	1
41	FLANGE	80-1384-03	2
42	STUB END	80-1387-03	2
43	½" X 2½" HEX BOLTS SS (CHAMBER BOLTS)	04-6011-03	16
44	½" X 1½" HEX BOLTS SS (SUC/DIS)	04-6008-03	16
45	3/8" X 1¼" HEX BOLTS SS (AIR COVER)	04-6016-03	12
46	3/8 X 3 MM SS WASHER (AIR COVER)	04-6206-03	12
47	½ SS HEX NUT	04-6301-03	16
48	3/8" X 6" ALLEN BOLTS MS (P B)	04-6021-61	6
49	3/8" X 11.4 X 3 MM SS WASHER (P B ALLEN BOLT)	04-6207-03	6
50	½ SS WASHER (CHAMBER)	04-6201-03	48
51	35 X 20 X 3 MM SS WASHER (HP)	04-6217-61	2



AIR OPERATED DOUBLE DIAPHRAGM PUMPS



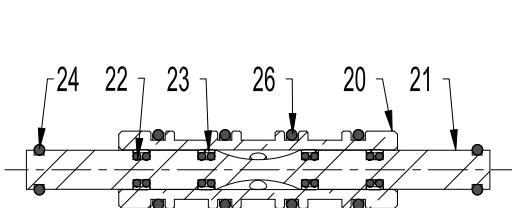
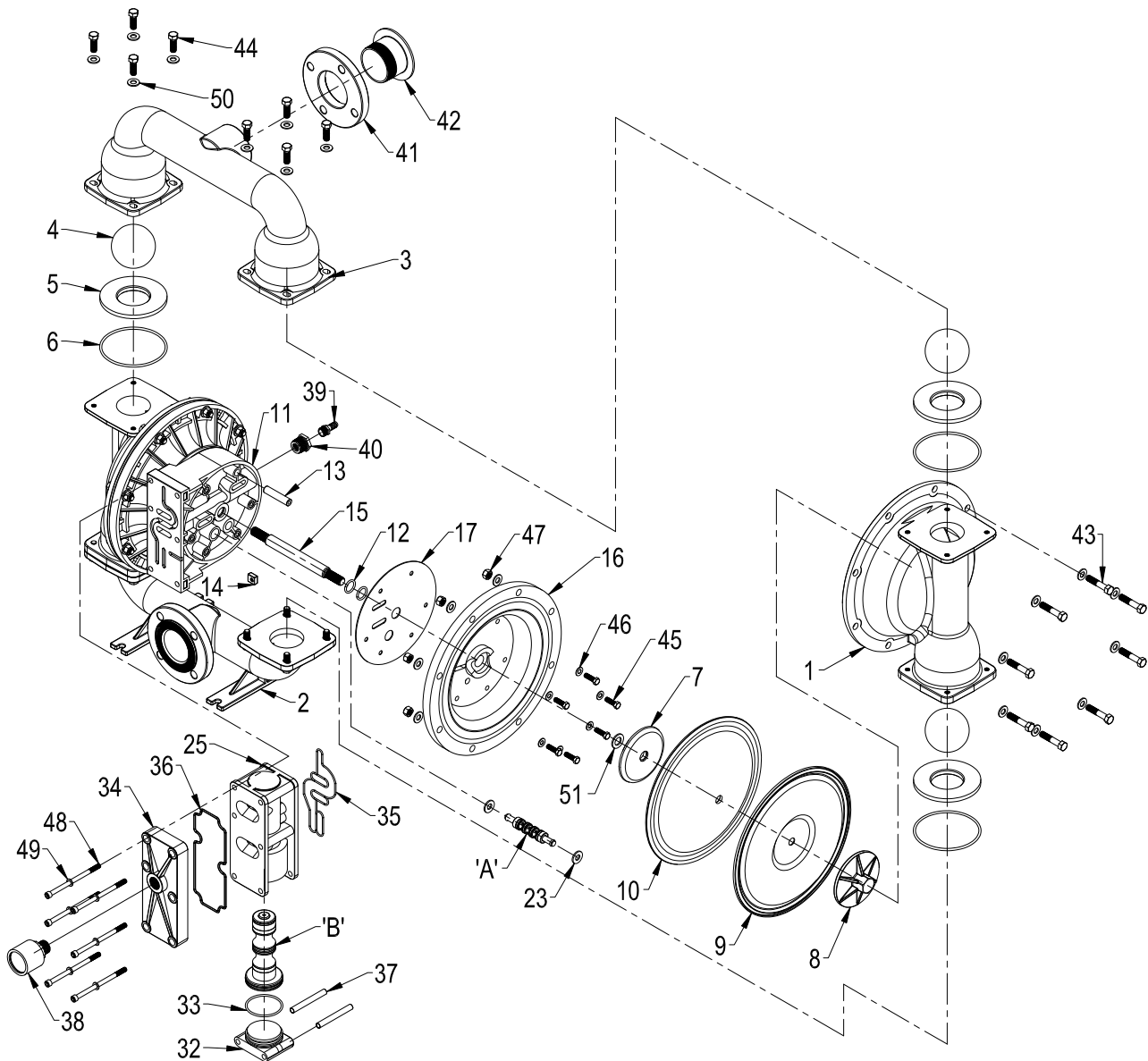
ISO 9001: 2008
ISO 14001: 2004

pricepumps.co.in

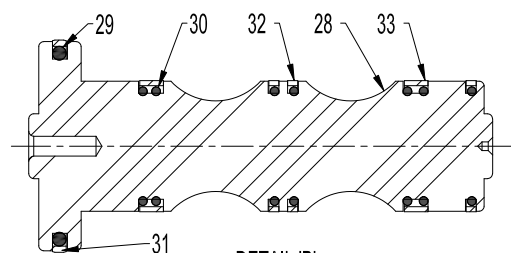
SECTION 3 – EXPLODED VIEW

3" STAINLESS STEEL PUMP

AOD 800/AAPP/TEF/TF/S/T



DETAIL 'A'



DETAIL 'B'



AIR OPERATED DOUBLE DIAPHRAGM PUMPS



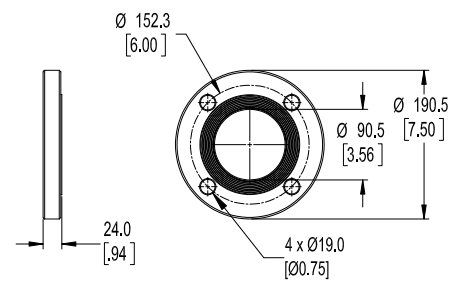
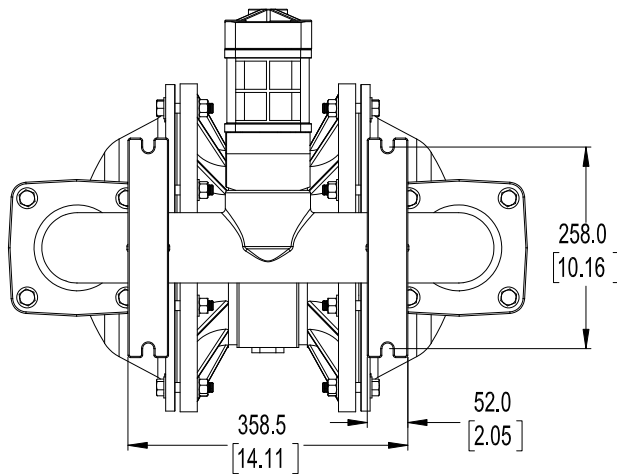
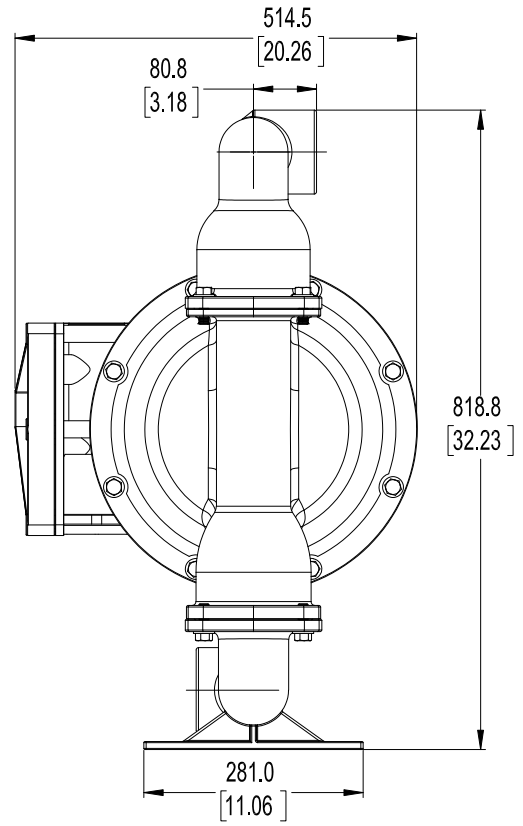
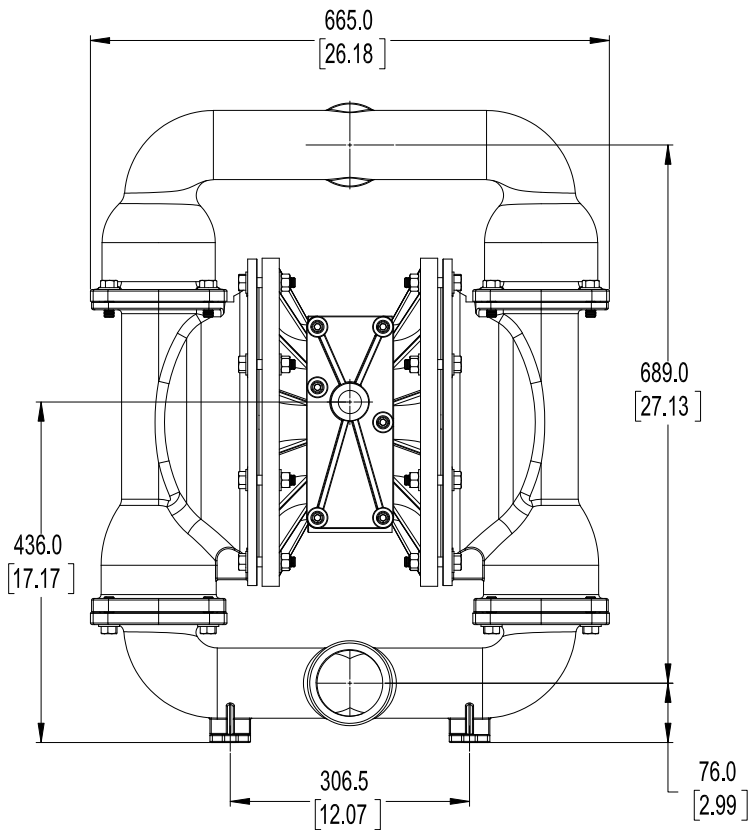
ISO 9001: 2008
ISO 14001: 2004

pricepumps.co.in

SECTION 4 – DIMENSIONAL DRAWING

3" STAINLESS STEEL PUMP

AOD 800/AAPP/TEF/TF/S/T





AIR OPERATED DOUBLE DIAPHRAGM PUMPS



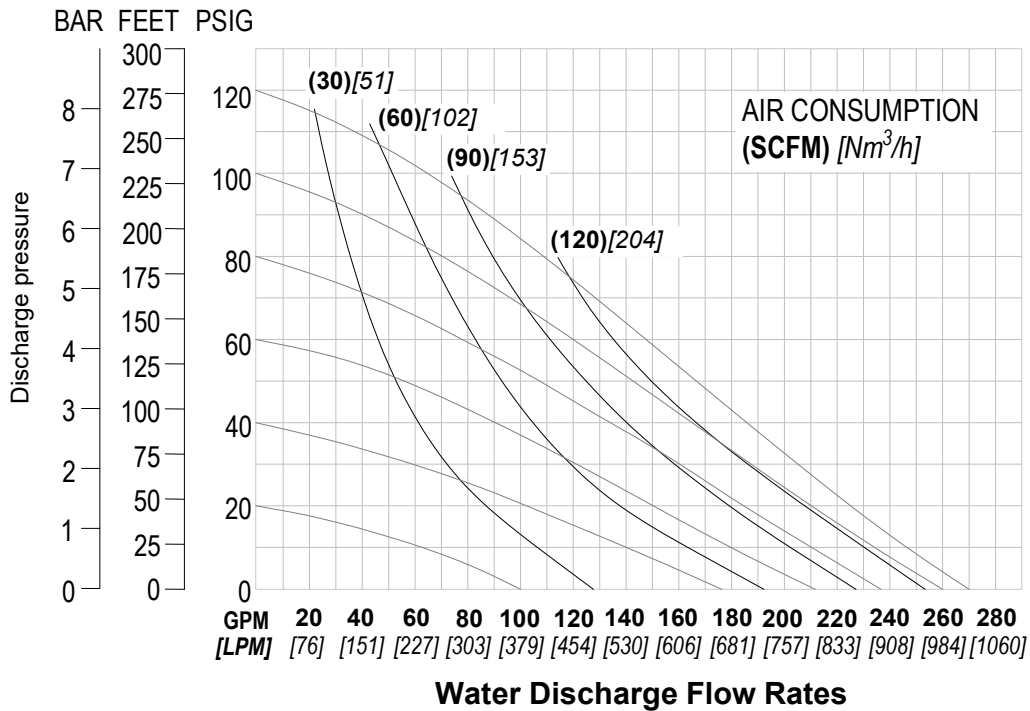
ISO 9001: 2008
ISO 14001: 2004

pricepumps.co.in

SECTION 5 – SPECIFICATION & PERFORMANCE

3" STAINLESS STEEL PUMP

AOD 800/AAPP/TEF/TF/S/T



SPECIFICATIONS:

MAX FLOW RATE: 1026 Lpm (271 gpm)
 MAX AIR PRESSURE: 120 psi (8.3 bar)
 AIR INLET: 13 mm (½" BSP)
 PORT INLET: 76 mm (3" BSP)
 DISCHARGE: 76 mm (3" BSP)
 SUCTION LIFT : DRY : 6 m (19.7')
 WET : 8.6 m (28.4')
 MAX PARTICLE SIZE: (Dia) 12.7 mm (½")
 AIR EXHAUST: 25 mm (1" BSP)

SHIPPING DIMENSIONS:

HEIGHT: 770 mm (30.3")
 WIDTH: 830 mm (32.7")
 LENGTH: 1360 mm (53.5")
 WEIGHT: 149 Kgs

Price Pumps meet ISO 9001-2015, ISO 14001 & CE quality standards.



**AIR OPERATED
DOUBLE
DIAPHRAGM
PUMPS**



ISO 9001: 2008
ISO 14001: 2004

pricepumps.co.in

NOTES: